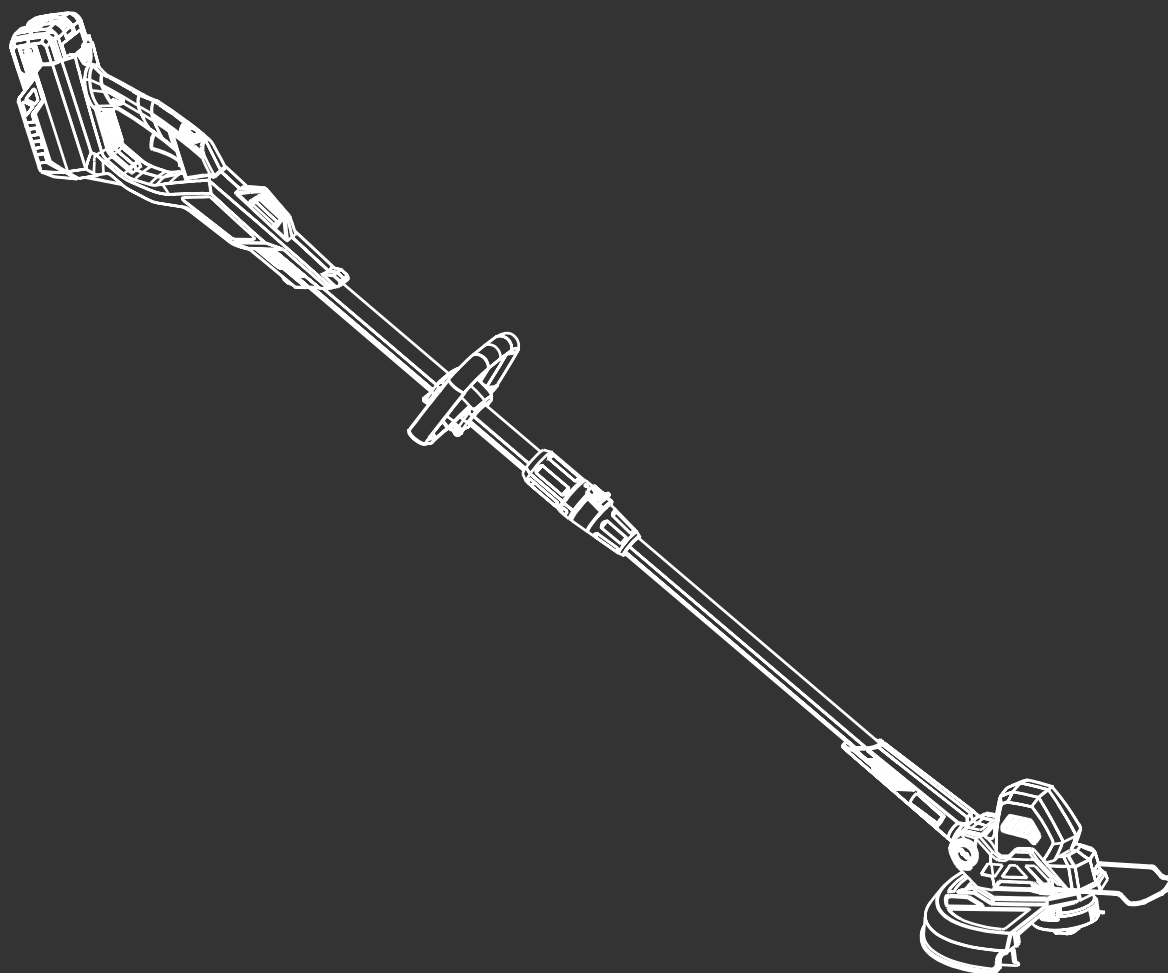


HYUNDAI
POWER PRODUCTS



40V GRASS TRIMMER HYTR40Li

Instruction Manual



Introduction

Thank You For Purchasing Your HYUNDAI Product

We work very hard to give all of our customers the best possible service. If you have any problems, before leaving negative feedback, please contact us to give us a chance to resolve the issue. We would be delighted if you left us positive feedback! Thank you for purchasing this product.

Important!



⚠️ WARNING : READ THE INSTRUCTION BOOKLET THOROUGHLY BEFORE USING THE MACHINE. Keep for future reference and pass it on if the machine is loaned or sold to another user.

This manual has been produced by Hyundai Power Products and should be kept with the product. Please read and understand these instructions before you use your product. Failure to do this may result in personal injury or damage to the product.

The safety precautions and warnings are to ensure your safety and protect you from harm or damage to the product.

The information contained in this manual was accurate at the time of production, however HYUNDAI Power Products may make modifications to the product without notification.

Contents

Symbols On The Machine.....	4	Maintenance And Care.....	26-28
Safety Information.....	5-14	Maintenance Safety.....	26
Understand Your Machine.....	5	Checking Your Machine.....	26
Personal Safety.....	5-6	Cleaning.....	27
Inspect Your Machine.....	6-7	Storage.....	28
Work Area.....	7-8	Transportation And Handling.....	28
During Use.....	8-9	Troubleshooting.....	29
Noise.....	9	Spare Parts.....	30-35
Power Tool Use And Care.....	10	Disposal.....	36
Batteries.....	11	Our Product Range.....	37
Battery Charger.....	11	Declaration Of Conformity.....	38
Electrical Safety.....	12	Notes.....	39
Personal Protective Equipment.....	13	Useful Information.....	40
Getting To Know The Machine.....	14	Our YouTube Channel.....	40
Features.....	15	Warranty.....	40
Unboxing.....	16	Manual Updates.....	40
Assembly.....	17	Returning your Product.....	40
Assembly Safety.....	17	Ordering Spare Parts.....	40
Fitting The Guard.....	17	Contact Us.....	41
Shaft Assembly.....	18		
Trimmer Line.....	19-20		
Fitting / Removing Battery.....	21		
Starting / Stopping.....	22		
Using The Grass Trimmer.....	23		
Adjusting The Line Length.....	23		
Height Adjustable Handle.....	23		
Setting The Trimmer Head Angle.....	23		
Battery.....	24		
Checking Charge Status.....	24		
Charging The Battery.....	24		
Specifications.....	25		

Contact Us



www.hyundaipowerproducts.co.uk



01646 687 880



aftersales@hyundaipowerproducts.co.uk

Symbols On The Machine

We have provided safety messages in this manual and on the machine. This information alerts you to potential hazards that could hurt you or others. Please read these messages carefully. However, we may not have listed all of the possible hazards, you must also use your own judgment.



INSTRUCTION MANUAL

Read and understand operator's manual before using the machine. Failure to follow instructions could result in death or serious injury.



GENERAL SAFETY WARNING

Indicates danger, warning or caution.



DANGER AREA

Keep away from the danger area.



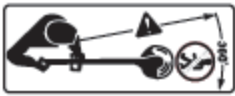
DANGER OF THROWN OBJECTS

Keep all bystanders and animals at least 15 metres away from the machine during operation. If approached, stop the machine immediately.



PROTECTION MUST BE WORN

Suitable safety hearing protection, head protection and eye protection must be worn.



THROWN OBJECTS

Beware of thrown or flying objects to bystanders. Keep bystanders a safe distance away from the machine.



DANGER

Thrown objects can ricochet and result in personal injury or property damage. Wear protective clothing and boots.



DANGER

Beware of falling objects. Keep bystanders away.



PROTECT FROM MOISTURE

Do not expose the product to rain or wet conditions.



WEEE SYMBOL

Waste electrical products should not be disposed of with household waste. Please recycle where facilities exist. Check with your local authority or local store for recycling advice.



CE SYMBOL

This product complies with the applicable European directives and an evaluation method of conformity for these directives was done.

General Safety



⚠ WARNING : READ THE INSTRUCTION BOOKLET THOROUGHLY BEFORE USING THE MACHINE. Keep for future reference and pass it on if the machine is loaned or sold to another user.

⚠ Understand Your Product

- **WARNING!** You must read these instructions carefully before operating the machine. Make sure that you are familiar with the controls and properly operate the machine. You must learn how to stop the machine quickly. If you do not follow the warnings and instructions, it may result in fire and/or serious injury. Make sure to save all warnings and instructions for future reference.
- Read this manual and labels affixed to the machine to understand its limitations and potential hazards.
- Be thoroughly familiar with the controls and their proper operation. Know how to stop the machine and disengage the controls quickly.
- If the unit is to be used by someone other than original purchaser, or is to be loaned, rented, or sold, always provide this manual and any needed safety training before operation. The user can prevent and is responsible for accidents or injuries that may occur to themselves, to other people, or to property.
- Do not force the machine beyond its limits. Use the correct machine for your application.
- Know how to stop the machine quickly in case of emergency. Understand the use of all controls.
- ALL MAINTENANCE other than that listed in this manual, should be carried out by professionally trained and certified personnel.

⚠ Personal Safety

- **WARNING!** Never allow children or people unfamiliar with these instructions to use the product. Local regulations can restrict the minimum age of the operator.
- Keep children, pets, and other people not using the unit away from the work area. Be alert and shut off the unit if anyone enters work area. Keep children under the watchful care of a responsible adult.
- Stay alert, watch what you are doing and use common sense when operating the machine. Never operate the machine when unwell or tired, or if you have taken alcohol, medicine, drugs or any substances which may slow your reflexes and compromise judgment. A moment of inattention while operating the machine may result in serious personal injury.
- Appropriate Personal Protective Equipment (PPE), **MUST** be worn at all times when operating or repairing the machine. Always wear anti-slip and resistant work footwear and long trousers while using the machine. Do not use the machine when barefoot, wearing sandals or similar

Contact Us



www.hyundaipowerproducts.co.uk



01646 687 880



aftersales@hyundaipowerproducts.co.uk

General Safety

lightweight footwear. Do not wear chains, bracelets or clothing that is loose fitting or hanging ties or cords. Tie long hair back. Always wear protective earplugs. Loose clothes, jewellery, or long hair can be caught in moving parts. Protect eyes, face, and head from objects that may be thrown from the unit. Always wear safety goggles or safety glasses with side shields when operating.

- Always keep hands and feet away from all moving parts during operation. Moving parts can cut or crush body parts.
- Always keep hands and feet away from all pinch points.
- Do not touch parts that might be hot from operation. Allow parts to cool before attempting to maintain, adjust, or service.
- Do not overreach. Keep proper footing and balance at all times. This enables better control of the machine in unexpected situations. Extending your body too far can result in a loss of balance and you may fall which will result in injury.
- Never place any part of your body where it would be in danger if movement should occur during assembly, installation, and operation, maintenance, repairing or moving.
- Start the machine carefully according to instructions and with feet away from the moving parts.
- Do not place your hands or feet near or under rotating parts. Keep away from any discharge openings.
- Keep in mind that the operator or user is responsible for accidents, hazards or unexpected events involving the machine that occur to other people or their property. It is the responsibility of the user to assess the potential risk of the area where work is being carried out. The operator or user must take all necessary precautions to ensure their own safety and that of others, especially on slopes or rough, slippery and unstable ground.

⚠ Inspect Your Machine

- Check your machine before starting it. Keep guards in place and in working order. Make sure all nuts, bolts, etc., are securely tightened.
- You must check the general condition of the machine before use.
- Never operate the machine when it is in need of repair or is in poor mechanical condition. Replace damaged, missing, or failed parts before using it. Check for fuel leaks. Keep the machine in safe working condition.
- Do not use the machine if the machine's switch does not turn off when running.
- Avoid accidental starting. Be sure the switch is off before transporting the machine or performing any maintenance or service on the unit. Transporting or performing maintenance or service on a machine with its switch on invites accidents.

General Safety

- If the machine should start to vibrate abnormally, stop the machine and check immediately for the cause. Vibration is generally a warning sign of trouble.
- Do not tamper with or disable safety systems.
- Only use manufacturer-recommended attachments.
- Before using, always visually inspect to see that the tools are not worn out or damaged. Replace worn out or damaged elements and bolts.
- Keep the machine in good operating condition. Operating a machine in poor or questionable condition could result in serious injury.
- Be sure all safety devices are in working order and warning labels are in place. These items are installed for your safety.
- Be sure the safety covers are in place.

⚠ Work Area

- Make sure you thoroughly inspect the entire work area and remove all objects and anything that could be thrown by the machine or could damage the machine (branches, stones, wire, toys, etc). Attempting to clear the work area whilst using the machine will reduce your concentration and creates a trip hazard. Any liquid spilled on the floor may result in you slipping.
- You must only work in daylight or with good artificial light in good visibility conditions. Keep people, children and animals away from the working area. Distractions can cause you to lose control.
- Operate on flat, level ground.
- Use the unit in dry conditions only. Protect it from rain and moisture. If there has been heavy rain on the working site, wait until the ground has dried up.
- You must pay special attention when approaching obstacles that could compromise visibility.
- You must be careful near ravines, ditches or embankments.
- Exercise extreme caution when operating on or crossing gravel drives, walks, or roads. Stay alert for hidden hazards or traffic.
- Find and locate all fixed objects in the ground, such as sprinkler systems, poles, water valves, bases for washing lines etc. Make sure that you check for hidden electrical cables or similar on the surface of the lawn. ALWAYS run the machine around these objects. NEVER intentionally run the machine over foreign objects.
- Pay the utmost attention when working on frozen ground as the machine may tend to skid.

Contact Us



www.hyundaipowerproducts.co.uk



01646 687 880



aftersales@hyundaipowerproducts.co.uk

General Safety

- Do not work in the rain or when there is a thunderstorm or lightning risk. If there is bad weather conditions, do not use the machine.
- Never run over gravel while the motor is running. There is a risk of being hit by stones.
- Switch the grass trimmer off before tilting or transporting it, e.g. from/to lawn or over paths.
- Do not operate power tools in explosive atmospheres, such as in the presence of flammable liquids, gases or dust. Power tools create sparks which may ignite the dust or fumes.

⚠ During Use

- Always hold the unit with both hands when operating. Keep a firm grip on the handlebars. Be aware that the machine may unexpectedly bounce upward or jump forward if the machine should strike buried obstacles such as large rocks or roots. Maintain a safe distance as provided by the handle frame.
- Walk, never run with the machine.
- Do not operate the machine in confined areas where there may be a risk of crushing the operator between the machine and another object.
- Before leaving the machine to clear blockages, check, clean, refuel or after striking foreign object, stop the machine and make sure that the blades have come to a complete stop.
- Always ensure that the ventilation openings are kept clear of debris.
- **WARNING!** If something breaks or an accident happens whilst working, you must turn off the machine immediately and move the machine away to prevent further damage. If an accident happens with injuries or third parties are injured, carry out the first aid measures most suitable for the situation immediately and contact the medical authorities for any necessary health care. Carefully remove any debris that might cause damage or harm persons or animals should it not be seen.
- Ensure that you have a firm footing. Be particularly careful when changing direction. There is a risk of tripping!
- The excessive speed of movement or the absence of maintenance have a significant influence on noise emissions and vibrations. It is necessary to take preventive steps to eliminate possible damage due to high levels of noise and stress from vibration. You must maintain the machine well, wear ear protection and take breaks from working.
- If the attachments/tools are not installed in their seats, do not use the machine.
- Prevent unintentional starting. Ensure the switch is in the off-position before connecting to power source and/or battery pack, picking up or carrying the tool. Carrying power tools with your finger on the switch invites accidents.

General Safety

- You must remove the battery (making sure that all moving parts are stationary):
 - After striking a foreign object, you must inspect the machine for damage and make repairs before using it again.
 - Before checking or working on the machine.
 - When transporting the machine.
 - Whenever you leave the machine unattended.
 - If the unit starts vibrating excessively.
 - Before clearing a blockage.
- Do not switch on the unit if there are persons (particularly children) or animals in the immediate vicinity. Ensure that children do not play with the unit. Stop working if you notice that persons (particularly children) or pets are nearby. When stopping work, never leave the unit unattended and keep it in a safe place.

⚠ Noise (Where Applicable)

- The operating noise of the machine can damage your hearing. Wear hearing protection such as earplugs or ear defenders to protect your hearing. Long-term and regular users are advised to have hearing checked regularly. Be especially vigilant and cautious when wearing ear protection because your ability to hear alarm warnings will be reduced.
- Noise emissions for this equipment is unavoidable. Carry out noisy work at approved times and for certain periods. Limit the working time to a minimum. For your personal protection and protection of people working nearby it is also advisable for them to wear hearing protection.



- See Certificate of Conformity section for Outdoor Noise declaration of conformity.

⚠ Vibrations (Where Applicable)

- Prolonged use of hand held (operated) machines will cause the user to feel the effects of/from vibrations. These vibrations can lead to white finger (Raynaud's phenomenon) or carpal tunnel syndrome. This condition reduces the ability of the hand to feel and regulate temperature, causing numbness and heat sensations and may cause nerve damage and circulatory tissue death.
- Not all factors that lead to white finger disease are known, but cold weather, smoking and other diseases that affect blood vessels and blood circulation as well as large and long-lasting impact of shocks are considered factors in the formation of white finger. Note the following to reduce the risk of white finger and carpal tunnel syndrome;
 - Wear gloves and keep your hands warm.
 - Take regular breaks.
- All of the above precautions may help reduce the risk of white finger disease but not rule out the carpal tunnel syndrome. Long-term and regular users are therefore recommended to observe the condition of your hands and fingers. Seek medical attention immediately if any of the above symptoms should occur.

Contact Us



General Safety

⚠ Power Tool Use And Care

- Do not force the power tool. Use the correct power tool for your application. The correct power tool will do the job better and safer at the rate for which it was designed.
- Do not use the power tool if the switch does not turn it on and off. Any power tool that cannot be controlled with the switch is dangerous and must be repaired.
- Disconnect the plug from the power source and/or the battery pack from the power tool before making any adjustments, changing accessories, or storing power tools. Such preventive safety measures reduce the risk of starting the power tool accidentally.
- Store idle power tools out of the reach of children and do not allow persons unfamiliar with the power tool or these instructions to operate the power tool. Power tools are dangerous in the hands of untrained users.
- Maintain power tools. Check for misalignment or binding of moving parts, breakage of parts and any other condition that may affect the power tool's operation. If damaged, have the power tool repaired before use. Many accidents are caused by poorly maintained power tools.
- Keep cutting tools sharp and clean. Properly maintained cutting tools with sharp cutting edges are less likely to bind and are easier to control.
- Use the power tool, accessories and tool bits etc. in accordance with these instructions, taking into account the working conditions and the work to be performed. Use of the power tool for operations different from those intended could result in a hazardous situation.

General Safety

⚠ Battery Use And Care

- Recharge only with the charger specified by the manufacturer. A charger that is suitable for one type of battery pack may create a risk of fire when used with another battery pack.
- Use power tools only with specifically designated battery packs. Use of any other battery packs may create a risk of injury and fire.
- When battery pack is not in use, keep it away from other metal objects, like paper clips, coins, keys, nails, screws or other small metal objects, that can make a connection from one terminal to another. Shorting the battery terminals together may cause burns or a fire.
- Under abusive conditions, liquid may be ejected from the battery; avoid contact. If contact accidentally occurs, flush with water. If liquid contacts eyes, additionally seek medical help. Liquid ejected from the battery may cause irritation or burns.
- Liquid ejected from the battery may cause irritation or burns.
- Never attempt to open the battery pack for any reason. If the plastic housing of the battery pack breaks open or cracks, immediately discontinue its use and do not recharge it.
- Do not pierce the battery with nails, strike the battery with a hammer, step on the battery or otherwise subject it to strong impacts or shocks.
- Protect the battery pack against heat. Do not place the battery in direct sunlight or use or store the battery inside cars in hot weather. Doing so may cause the battery to generate heat, explode or ignite.
- Never try to charge a battery pack that is cracked or damaged in any other way. There is a danger of electric shock or electrocution.



- There is an explosion risk if the battery terminals are short circuited, when connecting/disconnecting ALWAYS exercise great care so that the terminals or battery leads are NOT allowed to touch and cause a spark. ALWAYS use suitable insulated tools.

⚠ Battery Charger

- Do not place any objects on the battery charger and do not place the battery charger on soft surfaces. There is a risk of explosion.
- If other batteries are used, e.g. imitations, reconditioned batteries or third-party products, there is a risk of injuries as well as damage caused by exploding batteries.
- A charger that is suitable for one type of battery pack may create a risk of fire when used with another battery pack. This may cause an internal short-circuit and the battery to burn, smoke, explode or overheat.



General Safety

⚠ Electrical Safety (Where Applicable)



DANGER!

ELECTRICITY CAN KILL – NEVER WORK ON LIVE/ENERGISED EQUIPMENT.

- Prior to carrying out any maintenance work you **MUST** identify electrical isolation methods and isolate all electrical supplies.
- Prior to use and with all electrical supplies isolated, you **MUST** check all electrical cables, plugs and connectors for the following;
 - Are intact and have no signs of damage, to include but not limited to bare wires, chaffing, cuts and loose wiring.
 - If there are any signs of damage, the damaged item **MUST** be taken out of service until the damage has been repaired by an electrically competent person.
- All trailing cables should be routed so as not to cause any kind of trip hazard.
- **NEVER** work on or near electricity with wet hands, wet clothing and wet gloves.
- Power tool plugs must match the outlet. Never modify the plug in any way. Do not use any adapter plugs with earthed (grounded) power tools. Unmodified plugs and matching outlets will reduce risk of electric shock.
- Avoid body contact with earthed or grounded surfaces, such as pipes, radiators, ranges and refrigerators. There is an increased risk of electric shock if your body is earthed or grounded.
- Do not expose power tools to rain or wet conditions. Water entering a power tool will increase the risk of electric shock.
- Do not abuse the cord. Never use the cord for carrying, pulling or unplugging the power tool. Keep cord away from heat, oil, sharp edges and moving parts. Damaged or entangled cords increase the risk of electric shock.
- When operating a power tool outdoors, use an extension cord suitable for outdoor use. Use of a cord suitable for outdoor use reduces the risk of electric shock.
- If operating a power tool in a damp location is unavoidable, use a residual current device (RCD) protected supply. Use of an RCD reduces the risk of electric shock.

General Safety

⚠ Personal Protective Equipment

Appropriate Personal Protective Equipment (PPE), **MUST** be worn at all times when operating or repairing the machine. No protective equipment can ensure 100% protection.

When selecting PPE, make sure it's CE marked and it suits the user in terms of size, fit etc. If more than one item of PPE is worn at the same time, make sure they can be used together, e.g. wearing safety glasses may disturb the seal of a respirator, causing air leaks.



HAND PROTECTION MUST BE WORN

Protective electrically non-conductive gloves are highly recommended when working.



FOOT PROTECTION MUST BE WORN

Non-skid heavy duty footwear are highly recommended when working.



HEARING PROTECTION MUST BE WORN

Suitable safety hearing protection is recommended.



EYE PROTECTION MUST BE WORN

Always wear safety glasses/goggles and/or face shields. Everyday eyeglasses have only impact resistant lenses; they are not safety glasses/goggles.



PROTECTIVE CLOTHING MUST BE WORN

Do not wear loose clothing, gloves, scarfs, neckties or jewellery (rings, wrist watches), which can be caught in moving parts.



HEAD PROTECTION MUST BE WORN

Wear a safety helmet with a safety visor.



FACE SHIELD MUST BE WORN

Wear a face shield to protect your face.



RESPIRATOR MUST BE WORN

Wear a respirator.



General Safety

Getting To Know The Machine

The HYTR40Li is a battery powered grass trimmer from HYUNDAI. The HYTR40Li has a cutting width of 330mm and is powered by a 40V 2.5Ah Lithium-ion battery.

The grass trimmer is manufactured according to the latest safety requirements. Every precaution is only effective when it is followed exactly.

Intended Use

This machine was designed and manufactured for cutting grass in gardens and grassy areas, in areas in proportion to its cutting capacity, controlled by a pedestrian operator.

User Types

This machine is intended for use by consumers, i.e. non professional operators. The machine is intended for “DIY” and domestic use only.

This garden tool is not intended for use by persons (including children) with reduced physical, sensory or mental capabilities, or lack of experience and knowledge, unless they have been given supervision or instruction concerning use of the machine by a person responsible for their safety. Never allow children or people unfamiliar with these instructions to use the garden tool. Supervise children. This will ensure that children do not play with the unit.

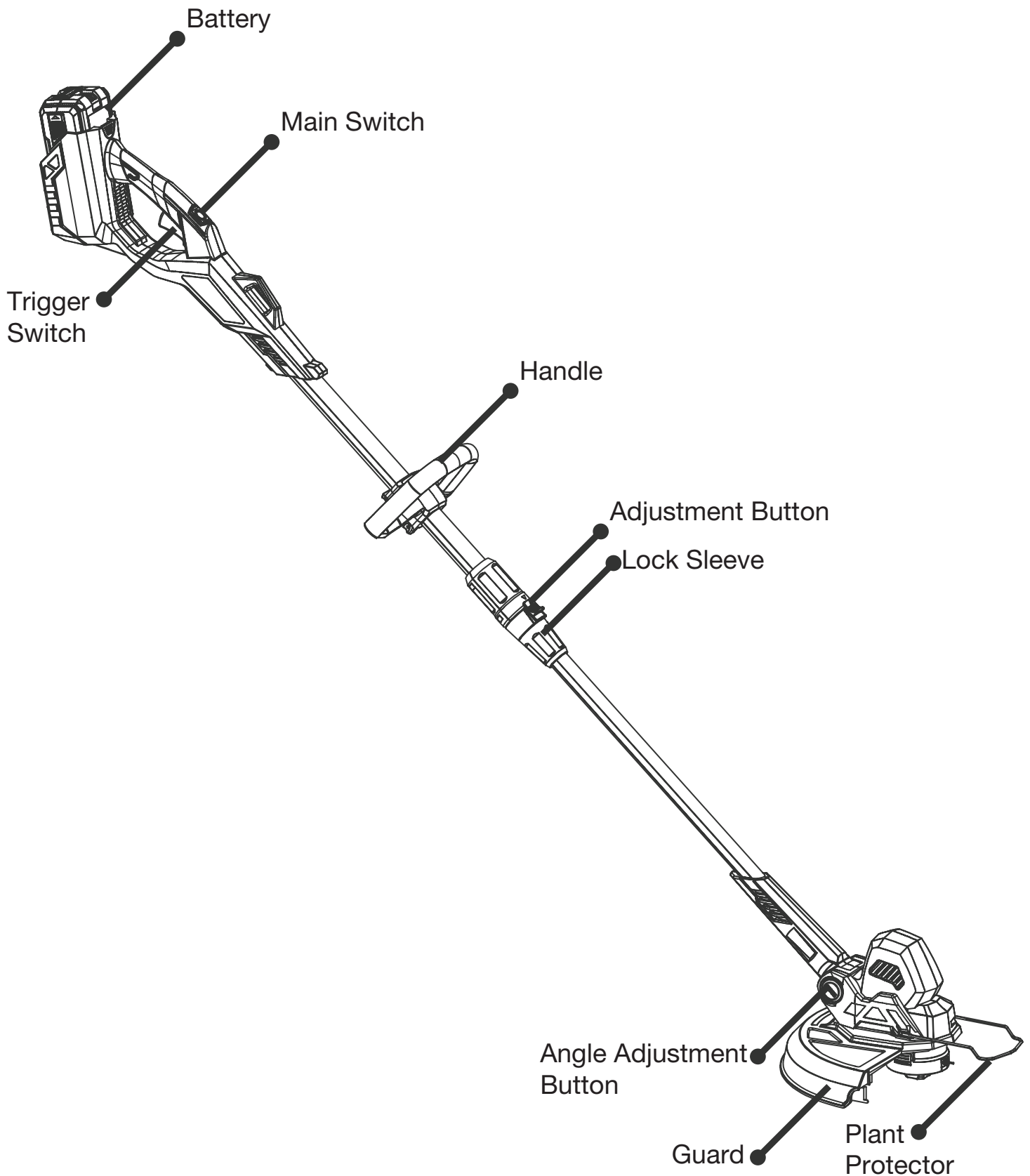
Any other use is not as intended. Improper use is not covered by the warranty and the manufacturer will reject any liability. The user is liable for all injuries to third parties and damage to their property. Operate the unit only in the technical condition as stipulated and delivered by the manufacturer. Arbitrary changes to the unit will exclude the manufacturer from any liability for resulting injury and/or damage.

Improper Use

Any other usage not in keeping with the above mentioned ones may be hazardous and harm persons and/or damage things.

Features

HYTR40Li Features



Contact Us



www.hyundaipowerproducts.co.uk




01646 687 880




aftersales@hyundaipowerproducts.co.uk


Unboxing

⚠ Unboxing Safety

 **WARNING!** Unboxing and assembling the machine should be done on a flat, stable surface with enough room. Disposal of the packaging should be done in accordance with the local regulations in force.

Carefully remove the product from the packaging and examine it for any sign of damage caused during shipping. Lay the contents out and check them. If any part is damaged or missing, you must not use the machine. Contact HYUNDAI Power Products immediately. You must keep the packaging material in case the machine needs to be returned or repaired.

 **WARNING!** Some of the packaging material may be harmful to children. Keep out of reach of children.

 **NOTE!** The batteries are not fully charged on delivery. Prior to initial operation, charge the batteries fully. See user manual of the battery charger.

In The Box

- HYTR40Li Grass Trimmer
- 40V Battery
- Charger
- User Manual

Assembly

▲ Assembly Safety

⚠ CAUTION - This guide is meant to serve as a quick reference for operating your HYUNDAI machine. We always advise reading the manual in full before operation.

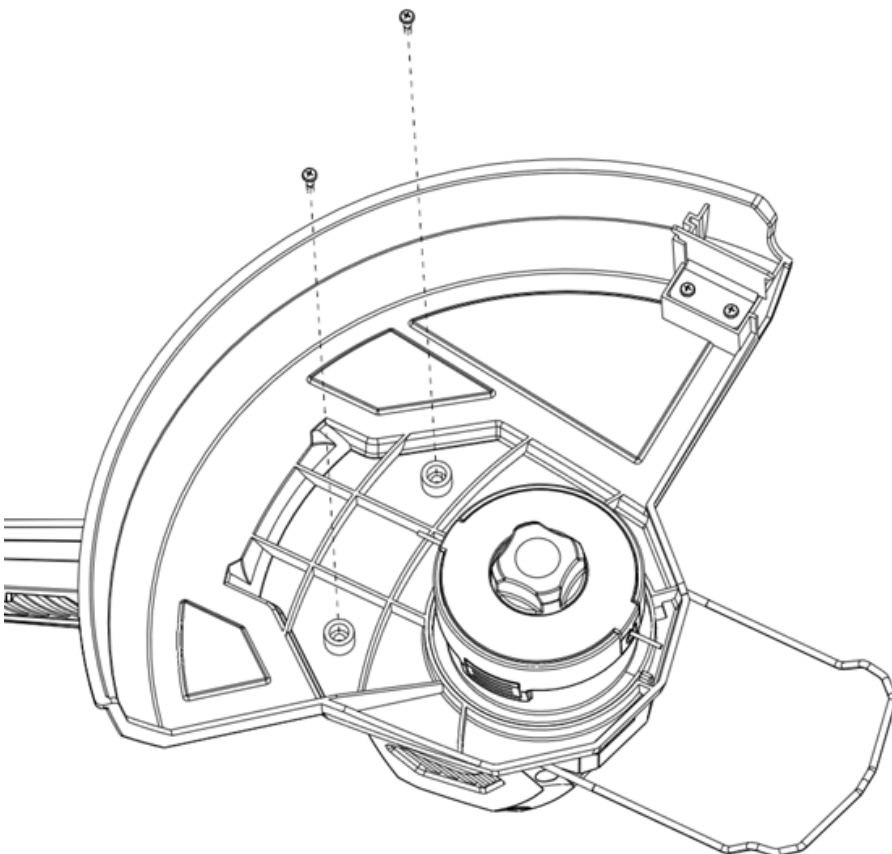
⚠ NOTE - Images may vary depending on model.

⚠ NOTE - The machine can be supplied with some parts already assembled. Prior to assembly, check all items have been received.

⚠ WARNING - Remove the battery pack before cleaning or maintaining the tool, fitting the guard or before making any adjustments to the tool, especially around the string head. Remove the battery pack before transporting or storing the tool.

Step 1 : Fitting The Guard

1. The guard is an essential part of the tool and ALWAYS must be used. Otherwise damage to the trimmer and injury to the operator may occur. The guard is not fitted to the trimmer when it is delivered to you to avoid damage in transit.
2. To fit the guard, align the opening in the guard with the underside of the trimmer head as shown. Tighten the four screws to fix the guard in place.

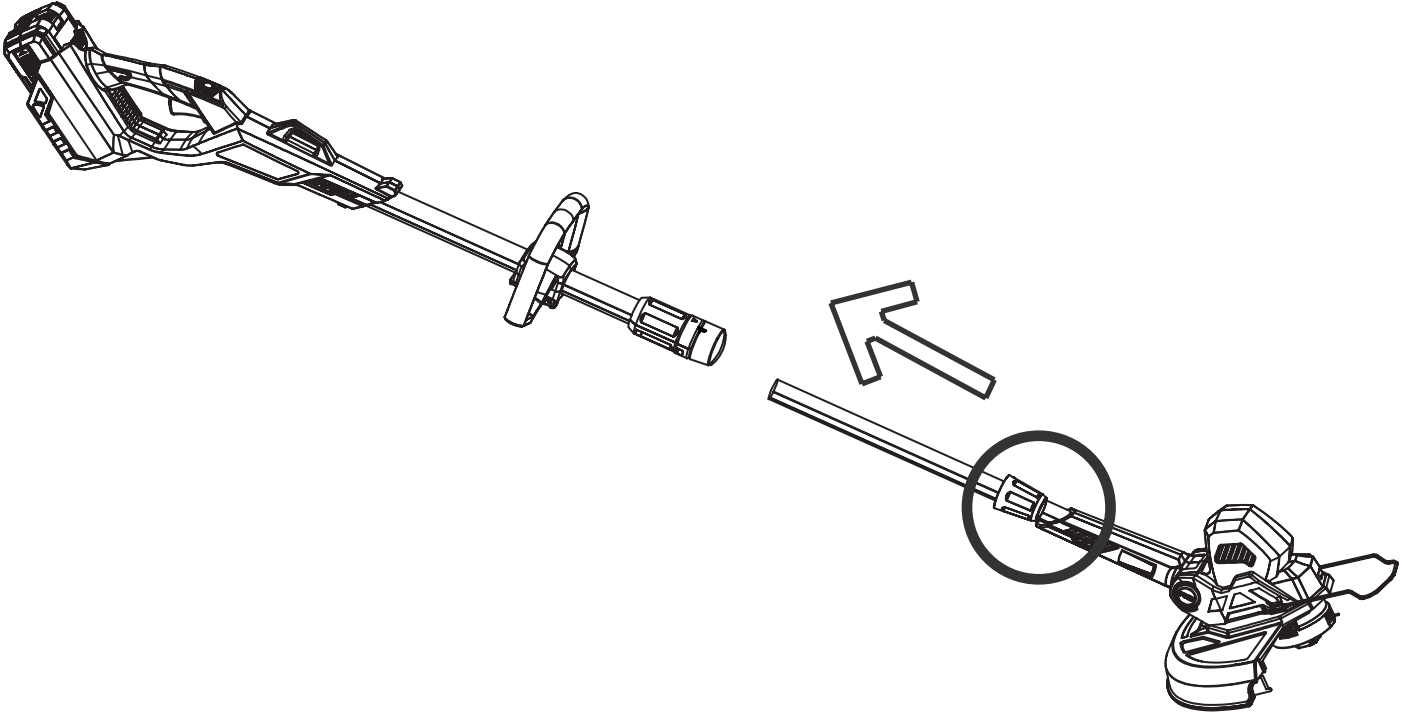


Contact Us

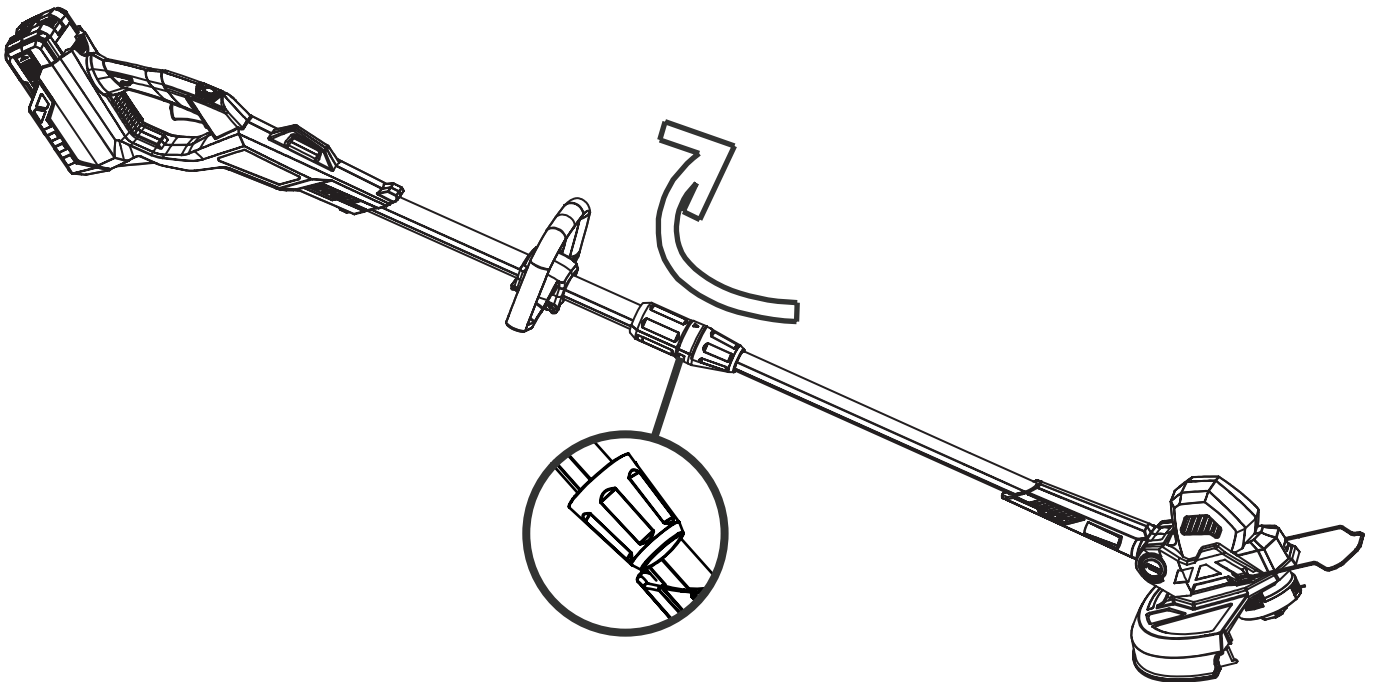
Assembly

Step 2 : Shaft Assembly

- 1 Insert the lower tube into the upper tube.



- 2 Rotate the sheath and tighten it.



Trimmer Line

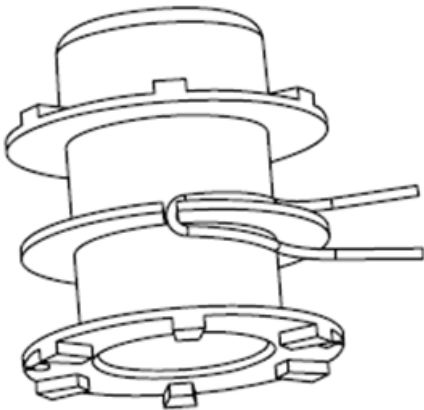
Rewinding The Spool

The spool is supplied with the line pre-wound. The twisted line is 1.65mm (0.065") in diameter, which gives good cutting performance and reduced noise. Follow the instructions below to rewind new line onto the spool.

To remove the string head, press and hold the shaft lock button and unscrew the head anti-clockwise.

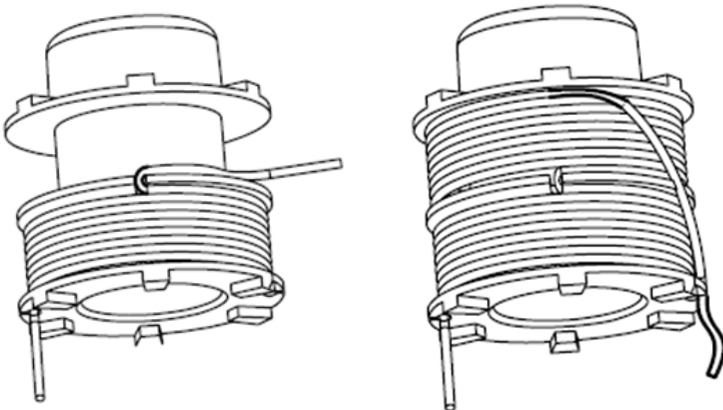
Step 1

Cut a piece of nylon line 1.65mm (0.065") in diameter maximum 12m long (you may find it easier to practice with a shorter line length at first). Find the centre of the line and loop it onto the notch in the centre flange of the spool. Wind the line around the spool, in the direction indicated by the arrow on the spool, keeping each end of the line in its own channel. Keep the line tight as you wind so that the line coils smoothly onto the spool.



Step 2

Wrap the line around the spool leaving about 20cm line exposed on each side.



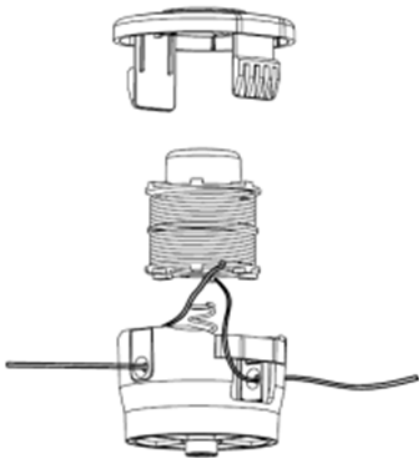
Continued 

Contact Us

Trimmer Line (Continued)


Step 3


- Keep the line tight and clip the lines into the notches in the bottom flange of the spool to hold the line in place while you fit the spool into the housing. The smaller end of the spring goes into the top of the spool.
- Then put the spool and spring into the housing leaving the ends of the line protruding from the cut outs on each side.
- Slide into place. Do the same on both sides.
- Position the cover in place as shown and press the cover onto the housing until the clips snap into place.
- Pull on both ends of the line to free them from the notches in the spool.
- To replace the spool, press on the spool lock button and screw the head clockwise onto the shaft and hand tighten.



Fitting / Removing Battery

Fitting And Removal Of Battery

 **DANGER** - Before operating this tool, ensure that the guard is fitted to the head of the machine. Never use the machine without the guard.


 **DANGER** - The battery should always be removed whenever you are not using the tool and especially when you are adjusting or transporting the tool to avoid accidental operation.

Fitting Battery

To insert the battery, slide it into the battery cradle on the top of the line trimmer, aligning the ribs in the cradle with the slots in the battery until it latches into place. Check that the battery is securely locked into place.

Removing Battery

To remove the battery, press and hold the latch on the rear of the battery pack and slide the battery away from the trimmer.

 **NOTE** - The battery is not fully charged at the time of purchase. Before using the grass trimmer for the first time, you must charge the battery.

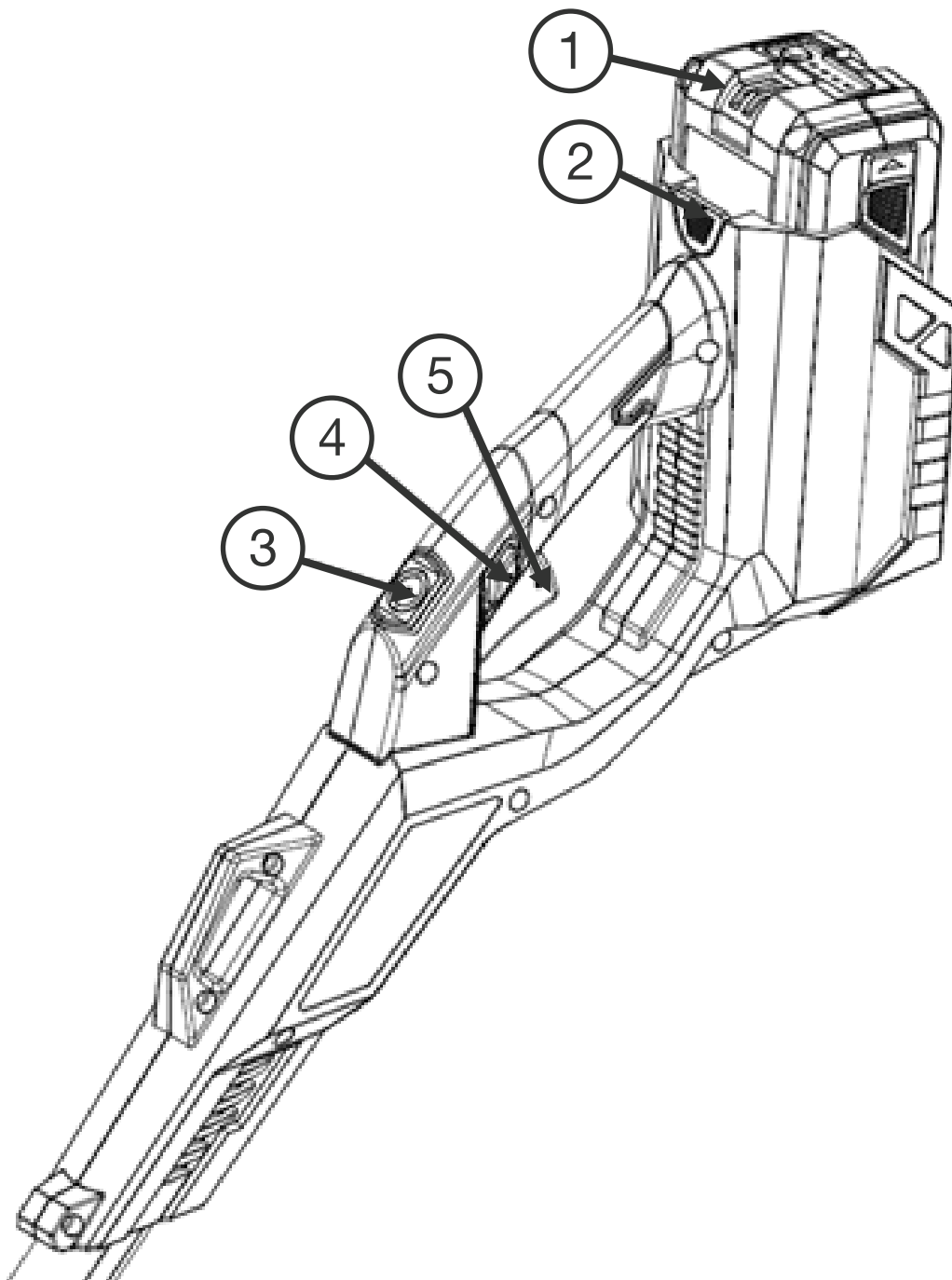
Starting / Stopping

Switching On

To switch the trimmer on (3), press and hold the safety switch (4) and hold the trigger switch (5) on the handle.

Switching Off

To switch the trimmer off, release the trigger switch (5). Be aware that the spool will continue to rotate for a short while.



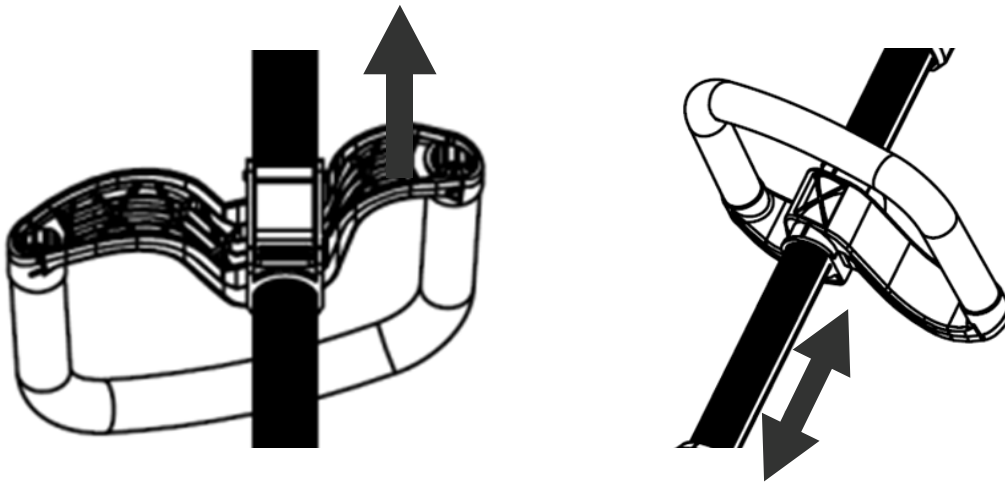
Using The Grass Trimmer

Adjusting The Line Length

During use, the line will become worn, or may break off if it strikes a stone or a similar hard object. To increase the length of the line, switch on the trimmer and while it is running tap the head of the trimmer against the ground. When the button on the trimmer head is bumped against the ground, centrifugal force will extend the line. Excess line will be cut off by the cutting blade.

Height Adjustable Handle

The auxiliary handle is height adjustable. To move the handle, first release the handle clamp on the underside of the handle. Slide the handle to the desired height and clamp in position.



Setting The Trimmer Head Angle

The angle of the trimmer head can be set to different working positions. Press the “PUSH” button with one hand and rotate the trimmer head to the required position. Release the “PUSH” button and the head will lock into place. There are 5 preset lock positions.

Battery

Checking Charge Status

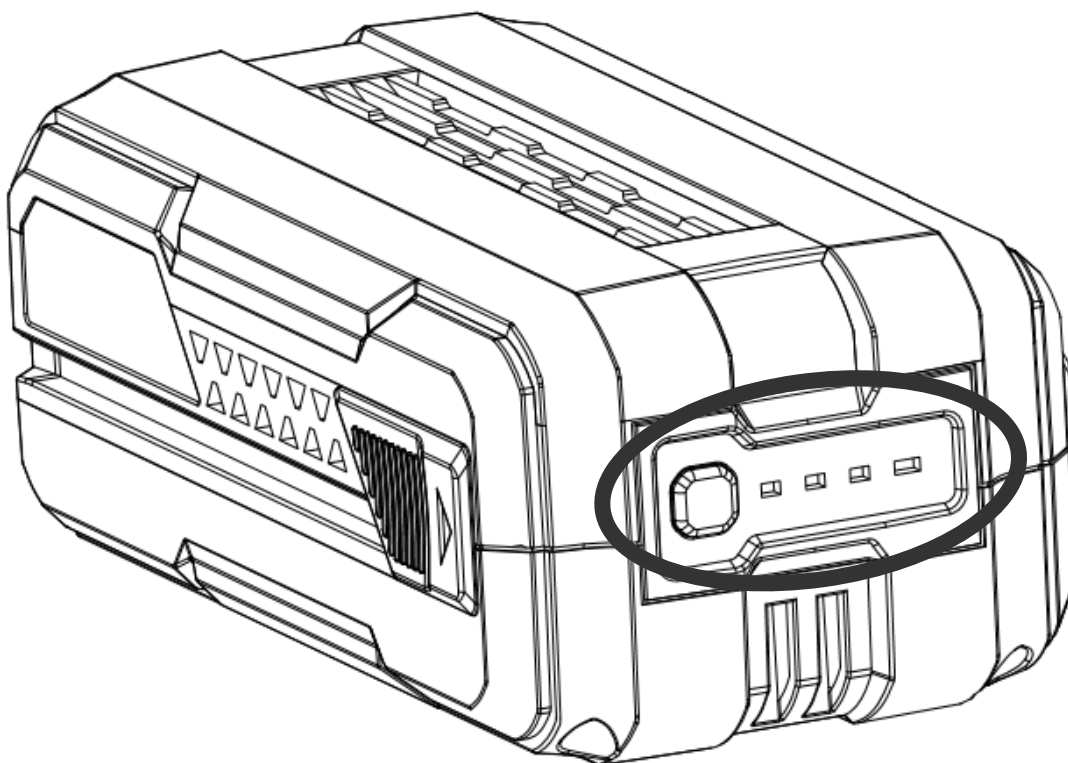
The unit has an LED state of charge indicator on the handlebar.

4 LED lights lit = 100% battery power

3 LED lights lit = 75% battery power

2 LED lights lit = 50% battery power

1 LED light lit = 25% battery power



Charging The Battery

1. Plug the charger into an AC outlet 220-250V (normal household voltage).
2. Insert the battery into the slots of the charger and slide into place until the battery locks into place.
3. The LED will flash green while the battery is charging.
4. Once the battery is fully charged, the LED indicator will show a steady green light.
5. Remove the battery by pressing and holding the latch button and sliding out of the charger.
6. Do not leave the battery on the charger. Remove it when it is fully charged.
7. Lithium-ion batteries have no memory effect - a partial charge will not damage your battery.

⚠ WARNING! Charge in a safe location away from moisture and heat sources!

Technical Data

Specifications

Model	HYTR40Li
Rated Voltage	40V DC
No Load Speed	7200rpm
Motor Size	350W
Cutting Head	Auto Feed
Cutting Line Diameter	1.6mm
Cutting Swath Diameter	330mm
Measured Sound Power	92dB(A)
Guaranteed Sound Power	96dB(A)
Vibrations	4.6m/s ² , k=1.5m/s ²
Weight	3.9kg Including Battery



Maintenance & Care

⚠ Maintenance Safety

⚠ WARNING - Remove the battery pack before cleaning or maintaining the tool. Remove the battery pack before transporting or storing the tool.

⚠ IMPORTANT - Routine and accurate maintenance is essential for maintaining original machine safety and performance levels.

⚠ WARNING - Before cleaning or doing maintenance work, you need to remove the battery. You need to wear proper clothing and protective gloves whenever your hands are at risk.

⚠ If there are worn or damaged parts, never use the machine. Faulty or worn-out parts must be replaced and not repaired. You must only use original spare parts. The use of non-original and/or incorrectly fitted parts will jeopardize the safety of the machine. This may also cause accidents or personal injuries for which the manufacturer is under no circumstance liable or responsible.

⚠ Any maintenance operations or adjustments not explained in this manual must be carried out by your Dealer or a specialised Service Centre with the necessary knowledge and equipment to ensure that the work is done correctly maintaining the machine's original safety level. Any operations performed in unauthorised centres or by unqualified persons will invalidate the Warranty and all obligations and responsibilities of the Manufacturer.

⚠ Be very careful during adjustment of the machine to prevent entrapment of the fingers between moving parts of the blade and fixed parts of the machine.

⚠ CAUTION - DO NOT use a hose pipe or pressure washer to clean the machine. Water can damage the machine.

Checking Your Machine

When checking your grass trimmer, we recommend you:

- Check for worn or damaged parts.
- Make sure all nuts, screws, bolts and blade are tight.
- Make sure all warning stickers are in place and not damaged.

Repairs may be carried out by an authorised customer service centre only.

Maintenance & Care

Cleaning

 **WARNING** - Do not use water or liquid detergents. Remove the battery before cleaning.

1. Clean the equipment immediately after use with a damp cloth and some soft, non-abrasive soap. Do not use cleaning agents or harsh solvents; these may damage the plastic parts in the equipment. Ensure that no water penetrates the equipment's interior.
2. Keep all safety devices, air vents and the motor housing free of dirt and dust as much as possible.
3. Dry the machine completely. Keep the handles dry, clean and free of oil and grease.
4. Avoid using solvents when cleaning plastic parts. Most plastics are susceptible to damage from various types of commercial solvents and may be damaged by their use.

Maintenance & Care

Storage

1. Make sure it has been cleaned. See cleaning section.
2. Remove the battery from the mower before storing.
3. Store the unit in a dry and frost-free place (10-25 °C) away from sources of ignition and varying changes in temperature. DO NOT store a machine that has not been given time to fully cool down. Store the machine in a safe place, out of the reach of children.
4. Store the battery and the unit separately. Charge the battery before storing the unit in winter.
5. DO NOT stack other items on top of the machine when in storage.
6. Keep the unit, in particular its plastic components, away from brake fluids, petrol, petroleum products, penetrating oil, etc. They contain chemical substances which may damage, attack or destroy the plastic components of the unit. To reduce fire hazards, keep the machine free of grass, leaves, or excessive grease. You must always empty the grass collector and do not leave containers full of cut grass inside storage areas.

Transportation And Handling

1. Whenever the machine is to be handled, lifted, transported or tilted you must:
 - Wear sturdy work gloves.
 - Hold the machine at the points that offer a safe grip, taking into account the weight and relative distribution of the same.
 - Use an appropriate number of people for the weight of the machine and the characteristics of the vehicle or the place where it must be placed or collected.
 - You must make sure that machine movements do not cause damage or injuries.
2. During transport, make sure to fasten the machine securely with cables or straps.

Troubleshooting

Fault	Possible Cause	Remedy
Motor does not start	<ol style="list-style-type: none">1. Capacitor defective2. Battery pack empty3. Cable defective4. Switch/plug block defective5. Motor terminals or capacitor disconnected6. Battery is not correctly inserted	<ol style="list-style-type: none">1. Contact an authorised service centre2. Charge the battery pack3. Check the cable4. Contact an authorised service centre5. Contact an authorised service centre6. Remove the battery and reinsert
Motor performance drops	<ol style="list-style-type: none">1. Battery performance decreasing	<ol style="list-style-type: none">1. Check the battery performance and charge the battery if necessary



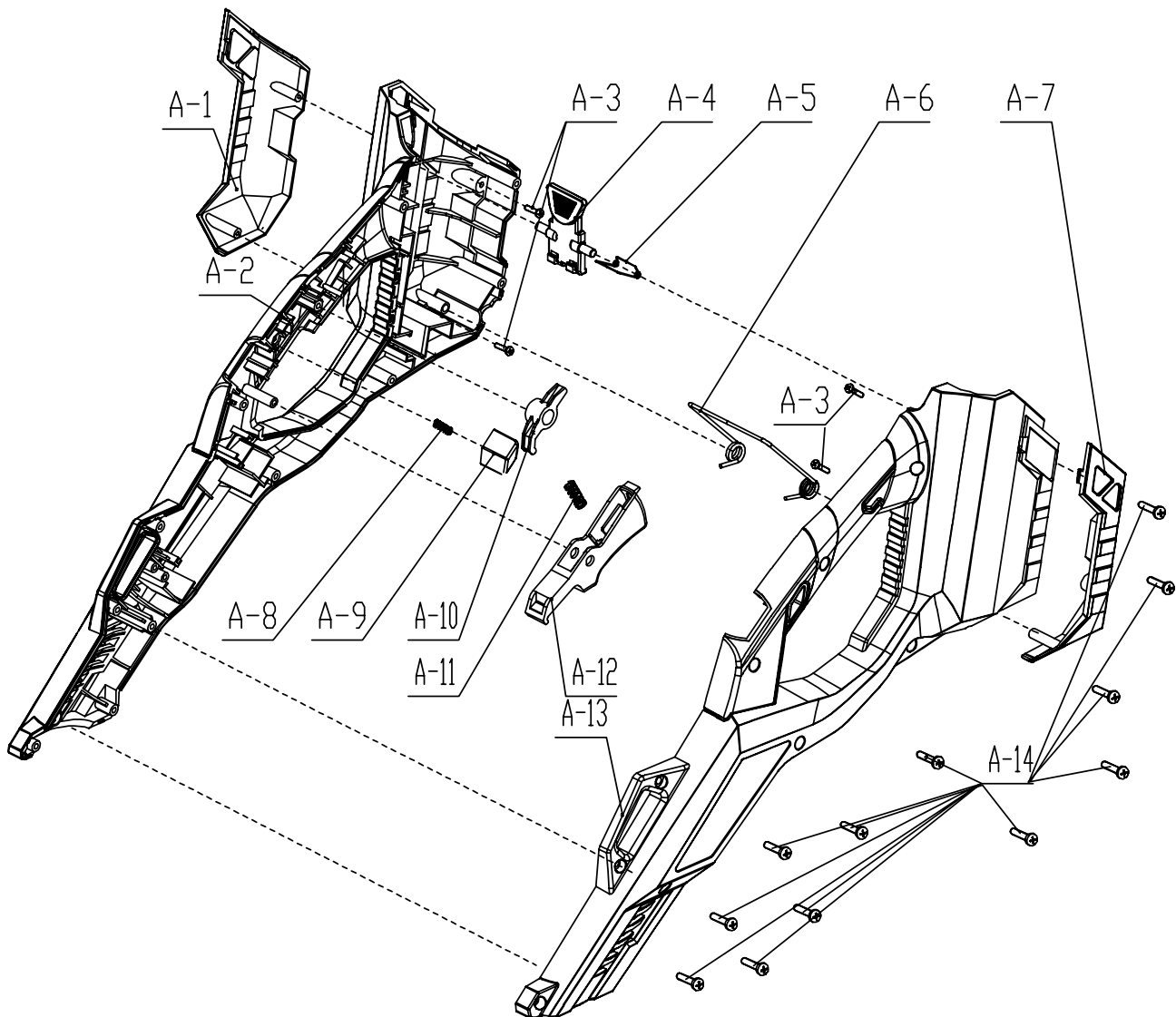
Spare Parts

Ordering Spare Parts

! Only use original spare parts: The use of non-original and/or incorrectly fitted parts will jeopardise the safety of the machine, may cause accidents or injuries for which the manufacturer is under no circumstance liable or responsible.

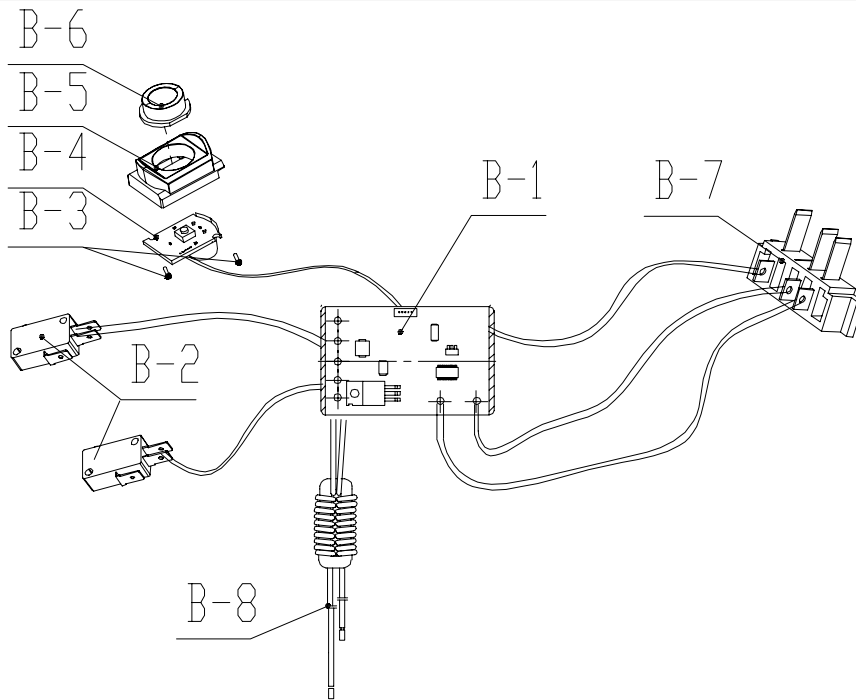
- 1 Find the part you are looking for in the drawings.
- 2 Information about the parts can be found in the tables below or visit power-spare.co.uk
- 3 Use this information to order the part.
- 4 Contact us if you need help finding the correct part.

Drawing A

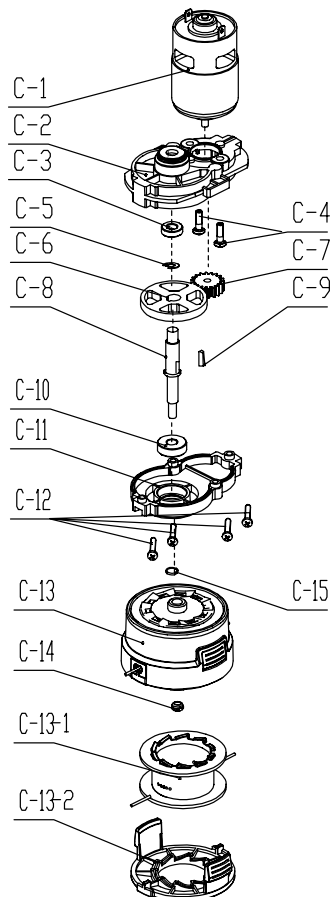


Spare Parts

Drawing B



Drawing C



Contact Us



www.hyundaipowerproducts.co.uk



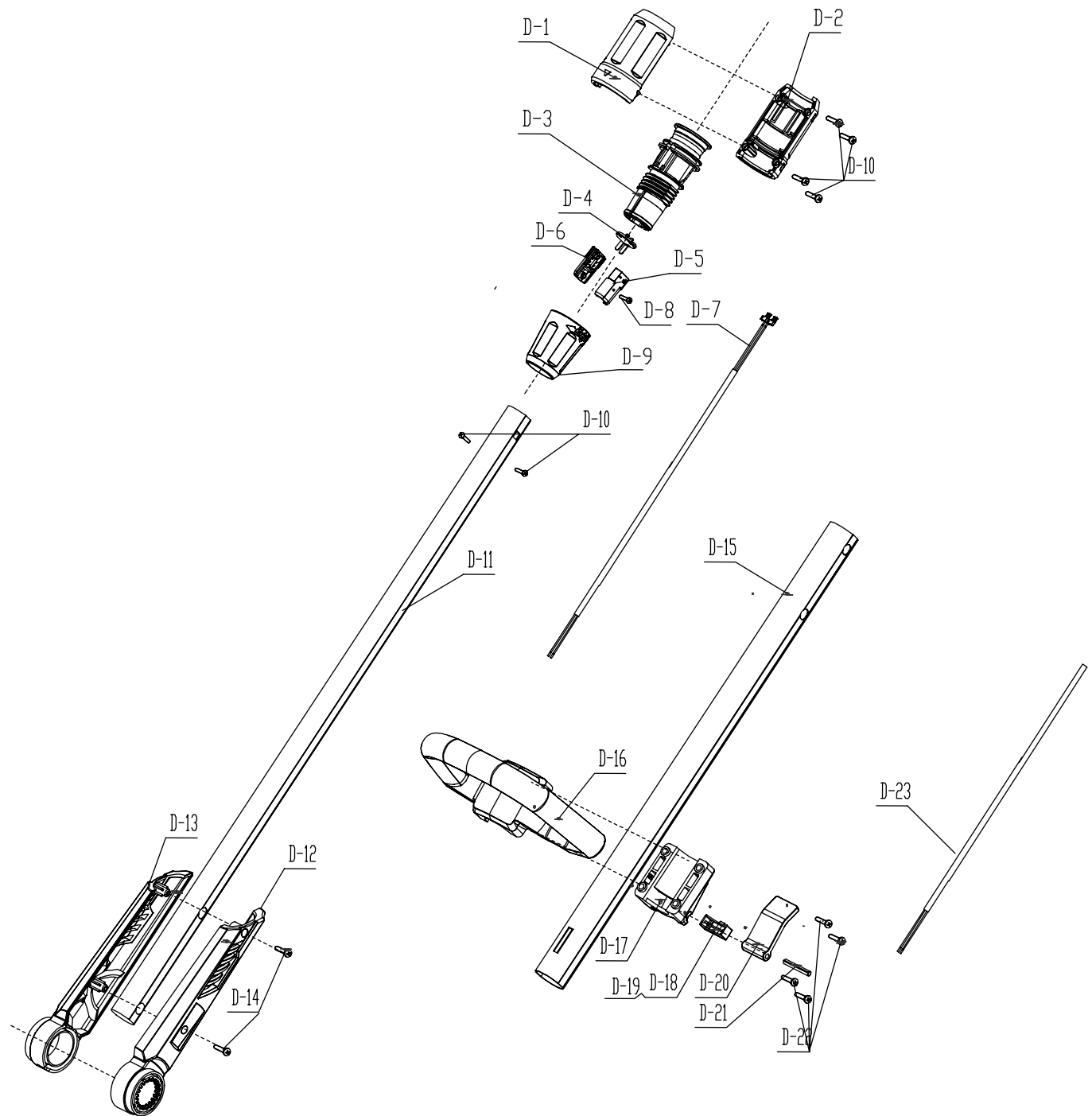
01646 687 880



aftersales@hyundaipowerproducts.co.uk

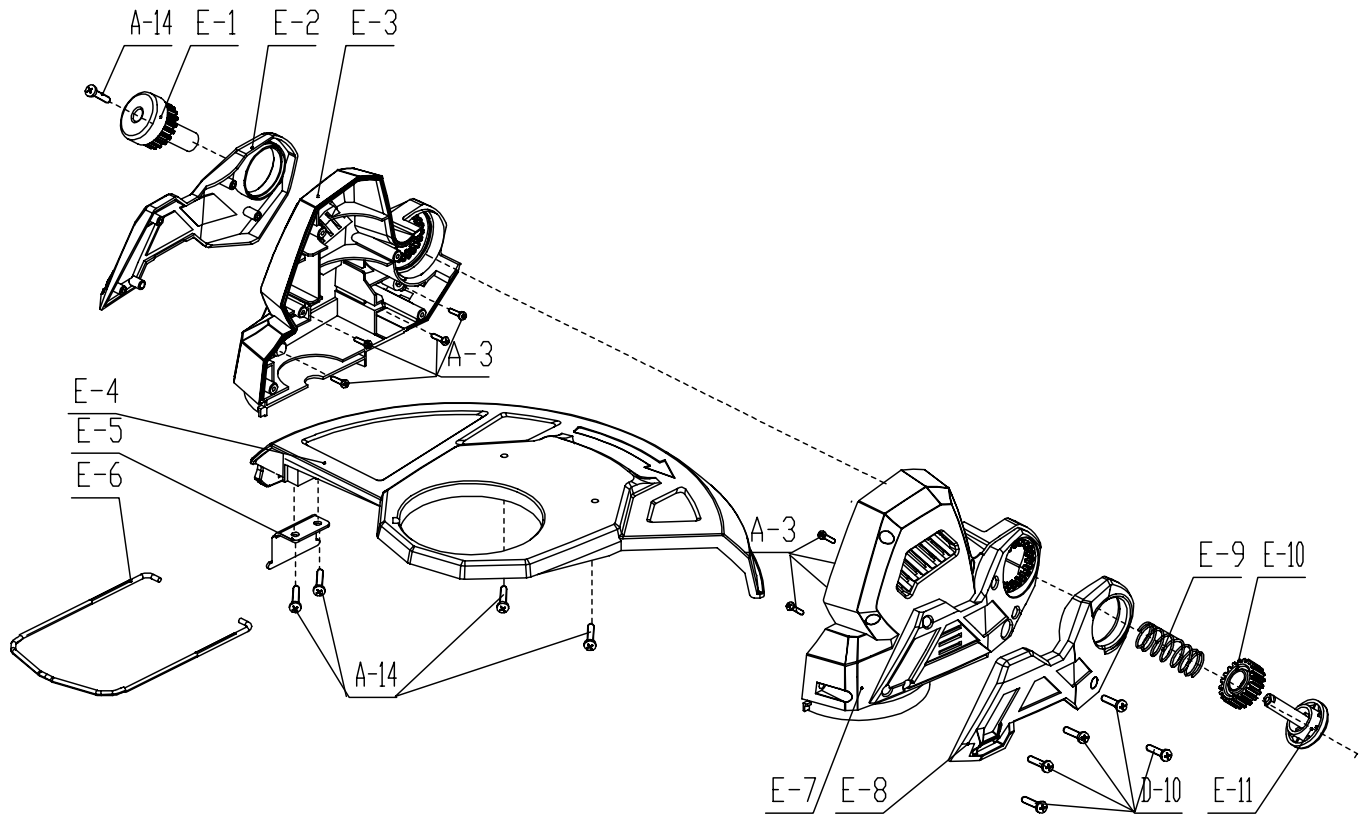
Spare Parts

Drawing D



Disposal

Drawing E



Drawing A

Drawing Number	Spare Part Name	Part Number
HYTR40Li-A1	Handle Decoration-Right	1189001
HYTR40Li-A2	Handle Assey-Right	1189002
HYTR40Li-A3	Screw	1308043
HYTR40Li-A4	Battery Pack Lock	1308049
HYTR40Li-A5	Spring	1308048
HYTR40Li-A6	Spring	1189006
HYTR40Li-A7	Handle Decoration-Left	1189007
HYTR40Li-A8	Spring	1308004
HYTR40Li-A9	Self-locking Switch	1189009
HYTR40Li-A10	Connection	1189010
HYTR40Li-A11	Spring	1189011
HYTR40Li-A12	Switch Plate	1189012
HYTR40Li-A13	Handle Assey-Left	1189013
HYTR40Li-A14	Screw	1189014

Contact Us



www.hyundaipowerproducts.co.uk



01646 687 880



aftersales@hyundaipowerproducts.co.uk

Spare Parts

Drawing B

Drawing Number	Spare Part Name	Part Number
HYTR40Li-B1	Master Control Board	1189015
HYTR40Li-B2	Switch	1189016
HYTR40Li-B3	Screw	1308012
HYTR40Li-B4	Start Board	1189018
HYTR40Li-B5	Indicator Plate	1308014
HYTR40Li-B6	Lampshade	1308015
HYTR40Li-B7	Battery Connection Assey	1308016
HYTR40Li-B8	EMI	1189022

Drawing C

Drawing Number	Spare Part Name	Part Number
HYTR40Li-C1	Motor	1189023
HYTR40Li-C2	Center Support	1189024
HYTR40Li-C3	Bearing	1189025
HYTR40Li-C4	Screw	1308025
HYTR40Li-C5	Ring	1189027
HYTR40Li-C6	Gear	1189028
HYTR40Li-C7	Gear	1189029
HYTR40Li-C8	Output Axle	1189030
HYTR40Li-C9	Pin	1189031
HYTR40Li-C10	Bearing	1308028
HYTR40Li-C11	Cover	1189033
HYTR40Li-C12	Screw	1189034
HYTR40Li-C13	Trimmer Head	1189035
HYTR40Li-C13-1	Spool	1189036
HYTR40Li-C13-2	Cover of Spool	1189037
HYTR40Li-C14	Nut	1189038
HYTR40Li-C15	Plate	1189039

Disposal

Drawing D

Drawing Number	Spare Part Name	Part Number
HYTR40Li-D1	Upper Cover	1189040
HYTR40Li-D2	Lower Cover	1189041
HYTR40Li-D3	Middle Sheath for Connecting	1189042
HYTR40Li-D4	Insert Group for Connecting Head	1189043
HYTR40Li-D5	Upper Insert Set	1189044
HYTR40Li-D6	Lower Insert Set	1189045
HYTR40Li-D7	Connecting Wire	1189046
HYTR40Li-D8	ST Screw	1290049
HYTR40Li-D9	Locking Cap	1189048
HYTR40Li-D10	Screw	1189049
HYTR40Li-D11	Aluminium Tube	1189050
HYTR40Li-D12	Right Support	1189051
HYTR40Li-D13	Left Support	1189052
HYTR40Li-D14	ST Screw	1189053
HYTR40Li-D15	Alu. Tube(2pcs)	1189054
HYTR40Li-D16	Auxiliary Handle	1189055
HYTR40Li-D17	Cover of Handle	1189056
HYTR40Li-D18	Press Board	1189057
HYTR40Li-D19	Locking Rubber	1189058
HYTR40Li-D20	Locking Spanner	1189059
HYTR40Li-D21	Pin	1189060
HYTR40Li-D22	ST Screw	1189061
HYTR40Li-D23	Inner Cable (2pcs)	1189062

Drawing E

Drawing Number	Spare Part Name	Part Number
HYTR40Li-E1	Fixing Button	1189063
HYTR40Li-E2	Decoration - Right	1189064
HYTR40Li-E3	Chassis- Right	1189065
HYTR40Li-E4	Protection Cover	1189066
HYTR40Li-E5	Blade	1189067
HYTR40Li-E6	Plant Protector	1189068
HYTR40Li-E7	Chassis -Left	1189069
HYTR40Li-E8	Decoration - Left	1189070
HYTR40Li-E9	Spring	1189071
HYTR40Li-E10	Sliding Block	1189072
HYTR40Li-E11	Lock	1189073

Contact Us



www.hyundaipowerproducts.co.uk



01646 687 880



aftersales@hyundaipowerproducts.co.uk

Disposal

Recycling And Disposal



We do not offer a takeback scheme for the recovery of Waste Electrical Electronic Equipment (WEEE) & Batteries. Instead the responsibility to dispose of WEEE and/or Batteries is passed onto you by us.

So when it becomes necessary to dispose of your machine you must take it to your local Civic Amenity Site. For further information please contact your local Authority for disposal advice.

You **MUST** make sure that all unused oil and fuel is disposed of correctly either beforehand or at your local Civic Amenity Site.

- Under NO circumstances must any fuel or oil be put down any drains.
- Certain products contain WEEE waste which should not be disposed of in your domestic waste.
- You **MUST** recycle WEEE in accordance with your local authority or recycling centre.
- Certain products contain batteries which should not be disposed of in your domestic waste.
- You **MUST** recycle batteries in accordance with your local authority or recycling centre.
- Unwanted packaging and materials should be stored and taken to a recycling centre so it can be disposed of in a manner which is compatible with the environment.

We are a Member of the VALPAK National Compliance Scheme and our registration number is **RM08660**. For further information about disposal please contact your Local Authority.

You can also get more advice and guidance about recycling at the following website
<http://www.recycle-more.co.uk>

Should you pass this product on to another user either sold or loaned, you **MUST** pass on this user manual. This will make sure that all other users can use and maintain this machine safely.

Environmental Protection

1. Environmental protection should be a priority of considerable importance when using the machine, for the benefit of both social coexistence and the environment in which we live. Try not to cause any disturbance to the surrounding area.
2. You must comply with local regulations and provisions for the disposal of packaging, oils, petrol, filters, damaged parts or any elements which have a strong impact on the environment. This waste must not be disposed of as normal waste. It needs to be separated and taken to specified waste disposal centres where the material will be recycled.
3. You must comply with local regulations for the disposal of waste materials after mowing.
4. When disposing, do not pollute the environment with the machine, but hand it over to a disposal centre, in accordance with the local laws in force.

Our Product Range

Generators

Leisure Inverter, Petrol, Diesel And Built-In Motorhome Generators

Pressure Washers

Petrol, Diesel And Electric Pressure Washers

Water Pumps

Submersible, Clean And Dirty Water And Professional Chemical Water Pumps

Lawnmowers

Petrol, Cordless, Electric, Roller, Self Propelled, Electric Start And Robotic Lawnmowers

Grass Trimmers And Brush Cutters

Petrol, Cordless, Electric And Wheeled Grass Trimmers And Brush Cutters

Chainsaws

Petrol, Cordless And Electric Chainsaws

Hedge Trimmers

Petrol And Cordless Hedge Trimmers

Leaf Blowers

Petrol, Electric, Cordless, Backpack And 3 -in-1 Leaf Blowers

Log Splitters

Horizontal, Vertical, Petrol And Electric Log Splitters

Wood Chippers

Petrol And Electric Start Wood Chippers

Tillers

Petrol Garden Tiller And Cultivator

Earth Augers And Trenchers

Petrol Earth Augers And Heavy Duty Trenchers

Compactor Plates

Petrol Compactor Plates

Cement Mixers

Portable Electric Cement Mixers

Mini Dumpers

4-Wheel Drive Mini Dumpers And Tracked Dumpers

Yard Sweeper

Self Propelled Yard Sweeper Power Brush

Scarifiers

Petrol Lawn Scarifier And Aerator

Stump Grinders

Petrol 4-Stroke Stump Grinders

Welders And Plasma Cutters

MIG, TIG, MMA, ARC Welders And Plasma Cutters

Power Tools And Tool Chests

Electric And Cordless Power Tools And Filled Tool Chests

Vacuum Cleaners

Wet And Dry Vacuum Cleaners

Engines

Petrol And Electric Start Engines

Battery Chargers / Starters

6V, 12V, 24V Battery Chargers, Jump Starters And Hydraulic Floor Jack

Air Compressors

Home, Domestic, DIY And Professional Use Air Compressors

Lighting Towers

Mobile Lighting Towers With Diesel Generators

Portable Power Stations

Camping Power Packs And Solar Chargers

And More

We Are Constantly Expanding Our Range With New Products

If you would like more information on any of these products, please contact our sales team on 01646 687880 or visit our website www.hyundaipowerproducts.co.uk

Contact Us



www.hyundaipowerproducts.co.uk



01646 687 880



aftersales@hyundaipowerproducts.co.uk

Declaration Of Conformity

EC Declaration Of Conformity

We hereby declare that the machine detailed in this declaration complies to all the relevant provisions of the following EC directives.

- 2006/42/EC The Machinery Directive
- 2014/30/EU Annex II Electromagnetic Compatibility Directive
- 2011/65/EU RoHS
- 2000/14/EC Noise Emissions in the Environment by Equipment for use Outdoors.

And is in conformity with the applicable requirements of the following documents:

- EN 60335-1
- EN 60335-2-77

Declaration for 2000/14/EC Noise Emissions in the Environment by Equipment for use Outdoors.

Notified Body for EC Directive 2000/14/EC Intertek, Shanghai

Model	Type	Motor Size	Measured Sound Power	Guaranteed Sound Power	Cutting width
HYTR40Li	Cordless grass trimmer and	350W	92dB(A)	96dB(A)	330cm
HYHT40Li	hedgetrimmer	350W	92dB(A)	92dB(A)	520cm

Product Details


Brand: Hyundai

Model: HYTR40Li, HYHT40Li

Description: Cordless Grass trimmer and Hedgetrimmer

Name and address of technical documentation holder and EU distributor:

Genpower Ltd, Isaac Way, Pembroke Dock, Pembrokeshire, SA72 4RW, UK.

Signed by: 

Roland Llewellyn, Managing Director

Date: 10/06/2020

Useful Information

Check Out Our YouTube Channel

Our videos on YouTube include:

- Unboxing
- Assembly of your machine
- How to service your machine
- Products in use
- 'How To' videos
- Product features

Go to www.hyundaisupport.co.uk or search 'Hyundai Power Products' in YouTube.

Warranty

Proof of purchase will be required before you make a warranty claim.

Full warranty terms and conditions can be found on the HYUNDAI POWER PRODUCTS website: www.hyundaipowerproducts.co.uk

Manual Updates

Our manuals are constantly being reviewed and updated. Should you find an error, omission or something unclear, please contact us for assistance.

We reserve the right to make any modifications without prior notice whenever necessary.

Our latest manuals are also placed online.

All our manuals can be downloaded at: www.hyundaipowerproducts.co.uk

Returning Your Product

If you are returning your product, please contact the dealer for their returns policy.

Leaving A Review

We work very hard to give all of our customers the best possible service. If you have any problems, before leaving negative feedback, please contact us to give us a chance to resolve the issue. We would be delighted if you left us positive feedback!

To leave a review, please go to: uk.trustpilot.com/review/hyundaipowerequipment.co.uk

Ordering Spare Parts

You can find the part you are looking for in the 'Spare Parts' section of this manual or visit power-spares.co.uk

Need Help? Talk To Our Experts

Contact Us

Our friendly aftersales team will be more than happy to help you.



Phone

Call our team on 01646 687880, open Monday-Friday 8.30am-5pm.



Email

aftersales@hyundaipowerproducts.co.uk



Online Live Chat

Go to www.hyundaipowerproducts.co.uk

Live chat is open Monday-Friday from 8.30am-5pm.



Post

Genpower Limited, Isaac Way, Pembroke Dock, Pembrokeshire, SA72 4RW, UK.



HYUNDAI

POWER PRODUCTS

Importer:
GENPOWER LTD
Isaac Way, London Road,
Pembroke Dock, UNITED KINGDOM, SA72 4RW
T: +44 (0) 1646 687 880 F: +44 (0) 1646 686 198
E: info@hyundaipowerproducts.co.uk
www.hyundaipowerproducts.co.uk

Imported/Distributed by Genpower Ltd for The United Kingdom & Ireland

Licensed by Hyundai Corporation, Korea